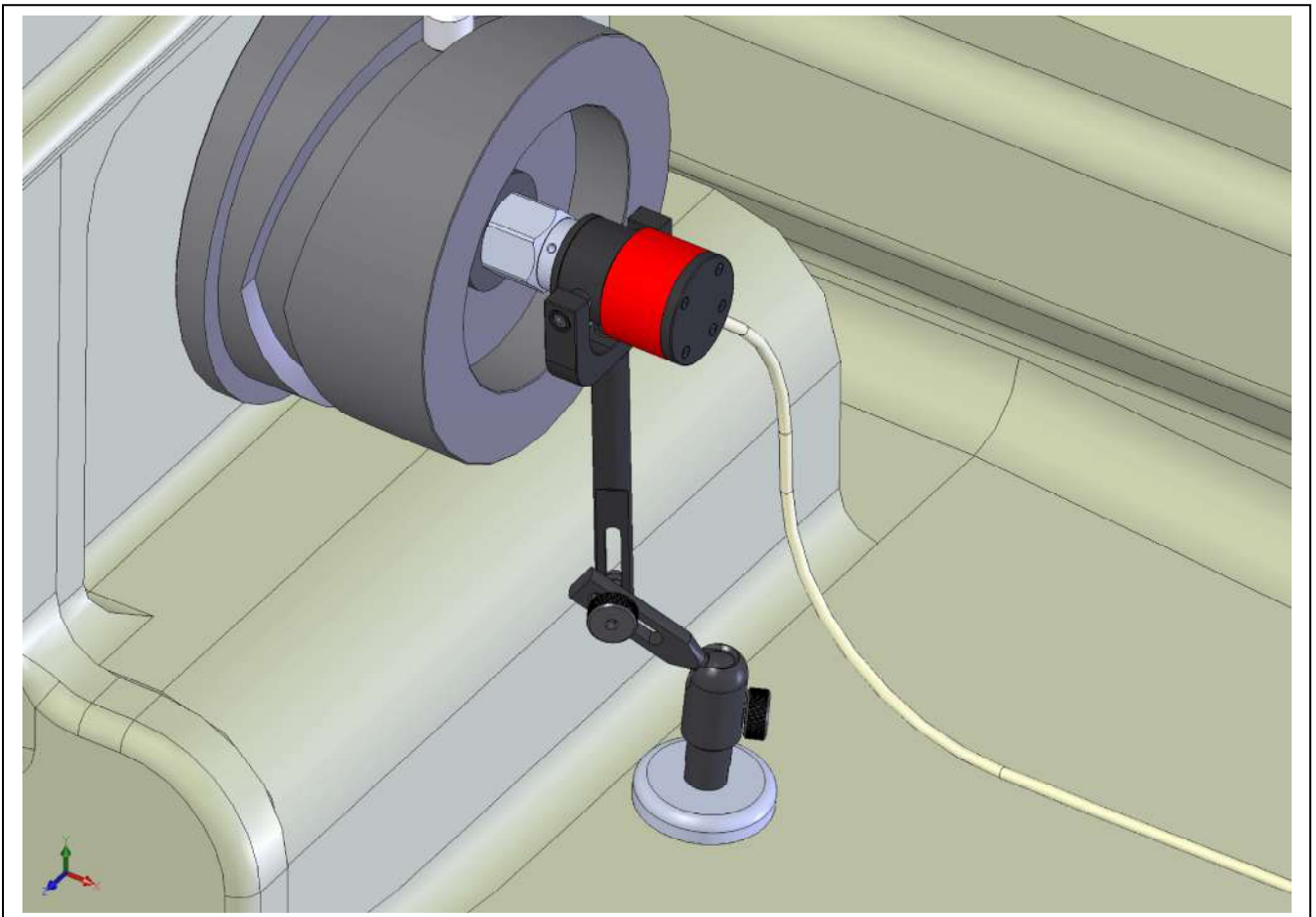


# Guide for installation and adjustment ACN



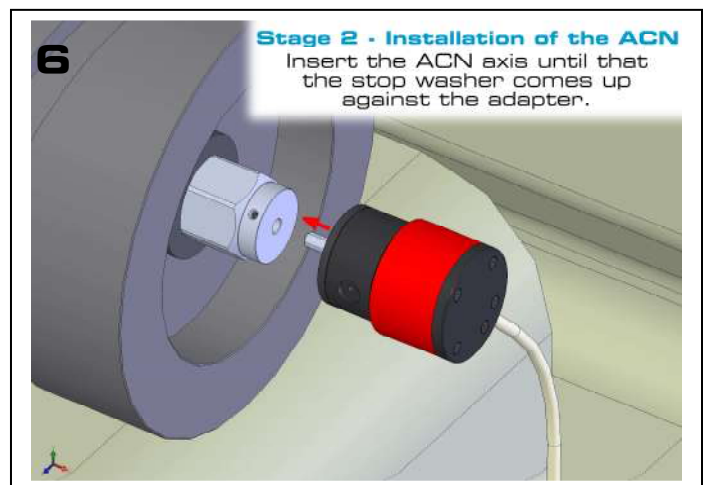
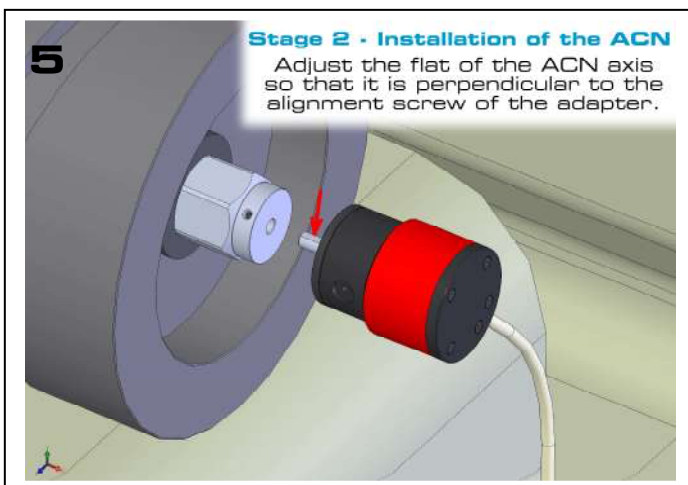
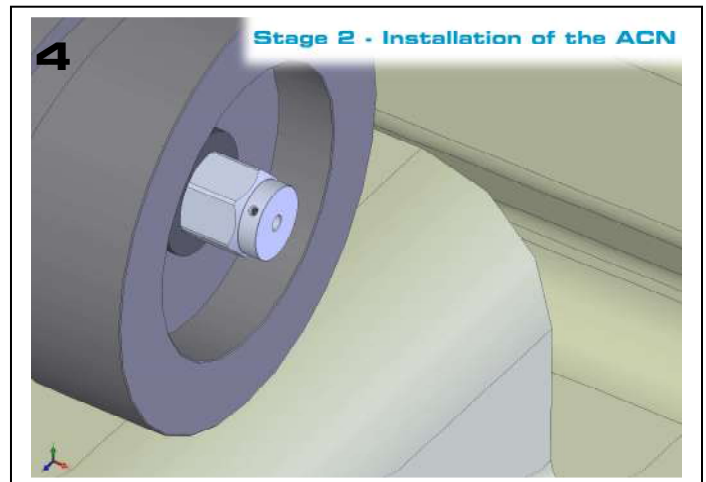
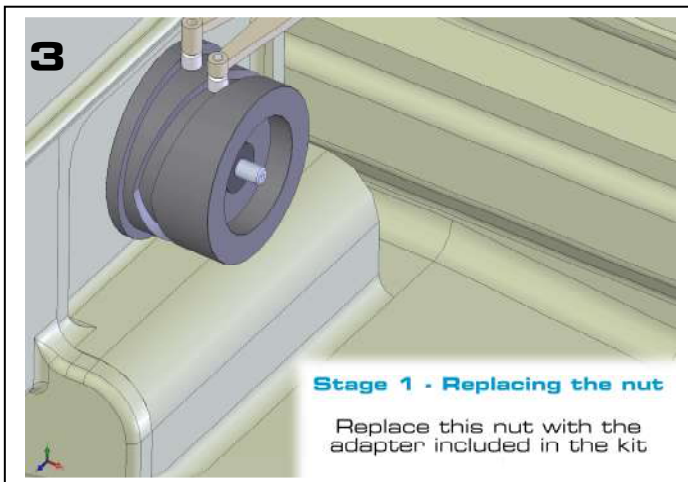
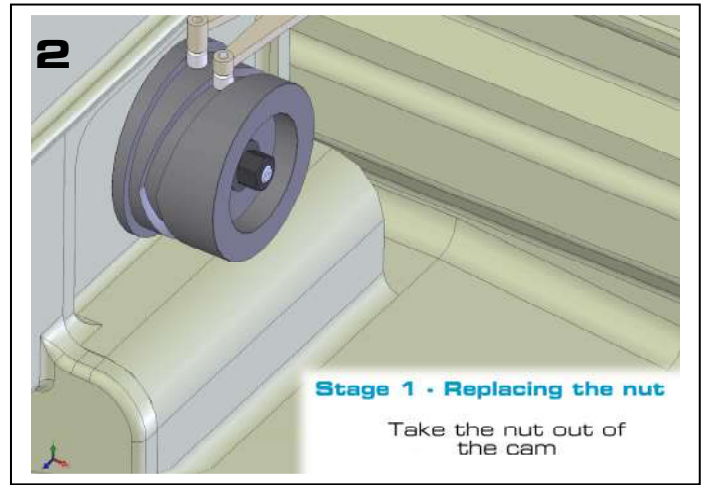
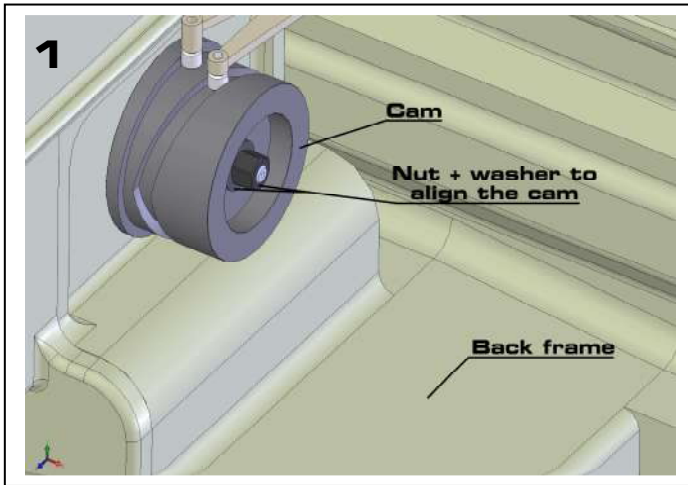
[www.detector-france.com](http://www.detector-france.com)

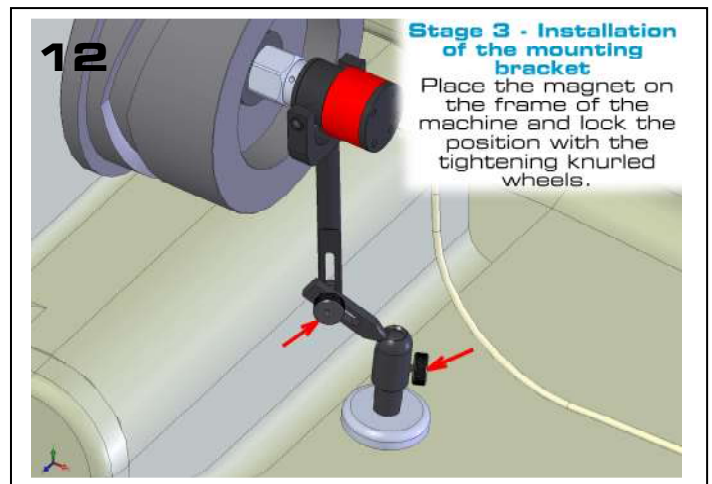
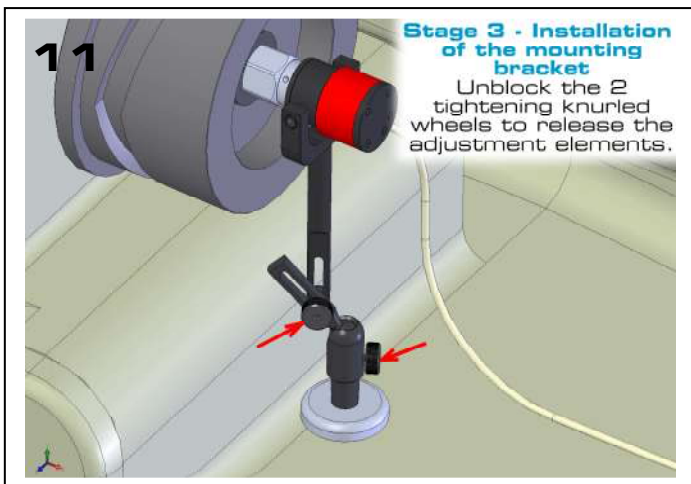
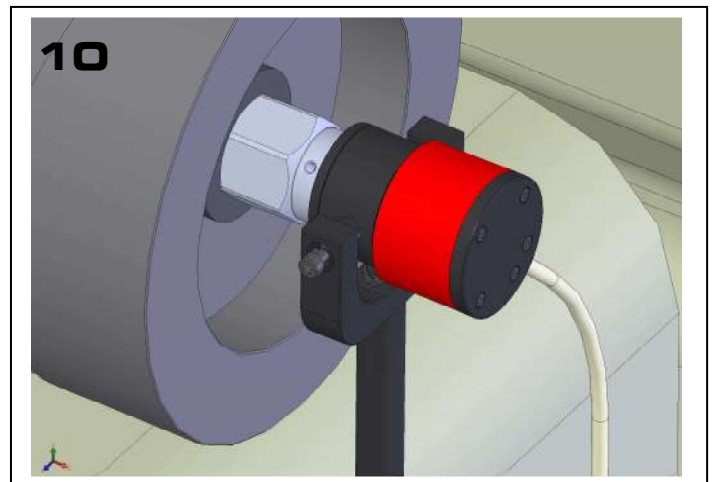
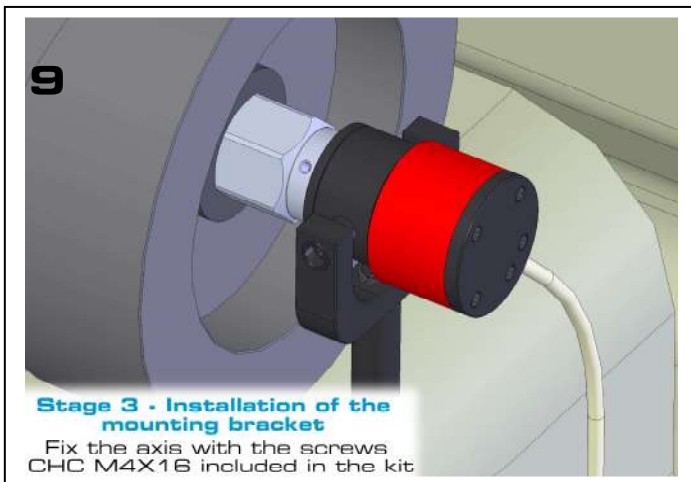
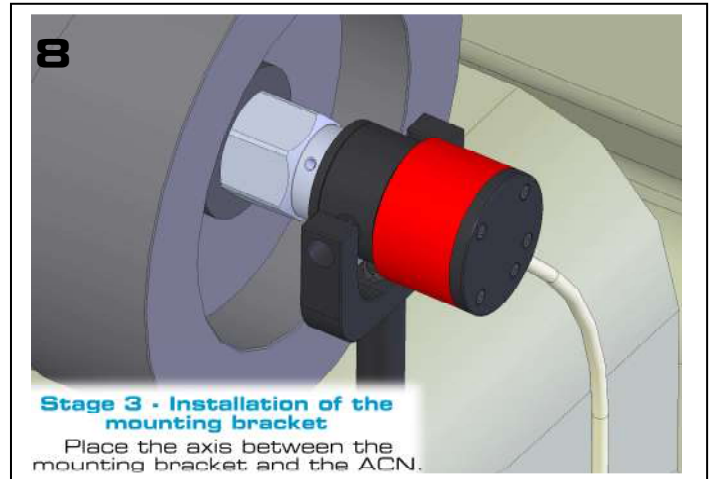
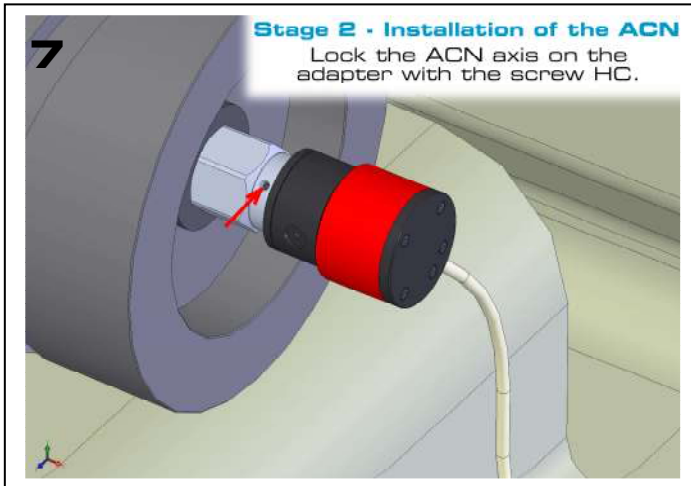
INSACND2EN – index A

<b>1 ACN PARAMETER SETTING AND ADJUSTMENT</b>	<b>2</b>
<b><u>1.1 Mechanical installation</u></b>	<b>2</b>
<b><u>1.2 ACN Parameter setting</u></b>	<b>4</b>

# 1. ACN PARAMETER SETTING AND ADJUSTMENT

## 1.1 Mechanical Installation





Now you only need to connect 7 male pins cable on the rear panel of the amplifier.

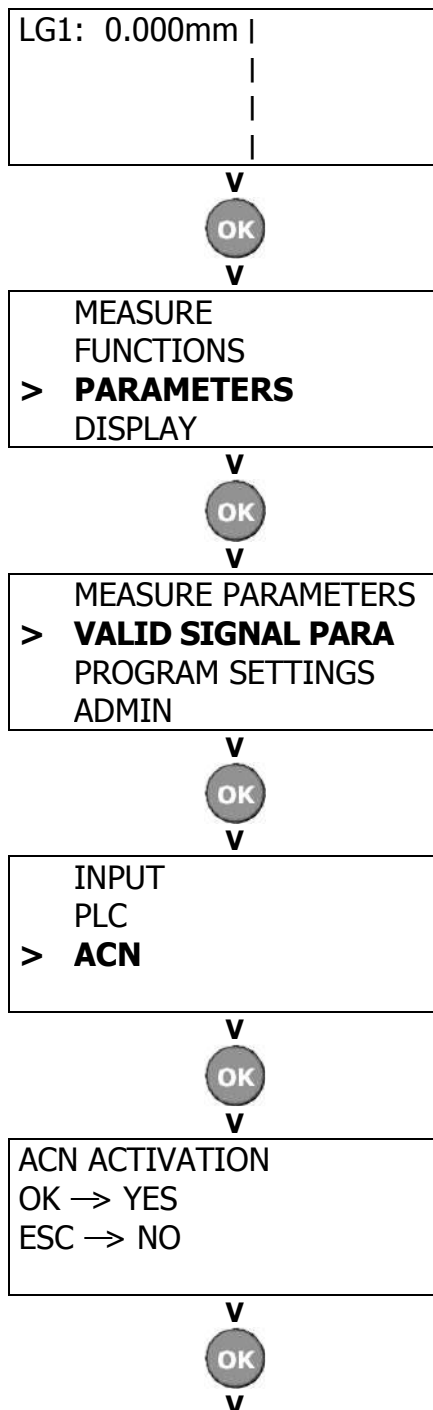
## 1.2 ACN Parameter-setting

The ACN parameter setting must be done only when the ACN is installed as described above.

The ACN can be installed only on cam shaft machines.

The use of an ACN is to digitize the camshaft rotation of the machine to facilitate the adjustment of the timing of the measurement evaluation signal.

### STAGE 1 – ACN ACTIVATION AND CALIBRATION



ACN ROTATION DIRECT  
CLOCKWISE –  
VALIDATE BY OK



**ACN ROTATION DIRECT. :**  
Choose the direction rotation of the ACN in relation to the mechanical installation you have made. The 2 rotation directions CLOCKWISE and COUNTER CLOCKWISE are written on the rear of the ACN.

This stage permits that the 0° of the machine corresponds to the 0° of the ACN. Position the machine at 0°, then validate with OK. The ACN will be set to 0°.

POSITION MACHINE  
ON START OF CYCLE  
0081°  
SET TO ZERO BY OK



ZERO SETTING MACHINE  
000°  
VALIDATE BY OK



LG NUMBERS  
1  
VALIDATE BY OK

**LG NUMBERS :**  
Define the number of lengths/feeds to be controlled. (4 max.)



MEASURE PARAMETERS  
> **VALID SIGNAL PARA**  
PROGRAM SETTINGS  
ADMIN

**STAGE 2 –ADJUSTING THE VALID SIGNAL**

MEASURE PARAMETERS  
> **VALID SIGNAL PARA**  
PROGRAM SETTINGS  
ADMIN

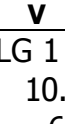
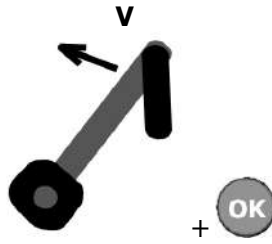


ACN PARAMETERS  
LG NUMBERS  
-> **VALID SIG. ADJUST.**  
ACN DESACTIVATION



VALID SIG. ADJUST.  
POSITION MACHINE  
AT THE END OF LG 1  
VALIDATE BY OK

Position the machine manually at the end of the **1st length**.



LG 1  
LIMIT + : 10.000mm  
LIMIT - : 6.000mm  
VALID SIGNAL : 159°

This is a summary to show you the tolerances limits and the position of the valid signal for the **1st length**.



ACN PARAMETERS  
NUMBER OF LG  
-> **VALID SIG. ADJUST.**  
ACN DESACTIVATION



▼  
MEASURE  
FUNCTIONS  
-> PARAMETERS  
DISPLAY



LG1: 0.000mm	ACN : 355°
--------------	---------------

The position of the camshaft is digitalized. You can see it in the upperright corner of the screen.





Manufacturer

**DETECTOR FRANCE**

36 route des lacs – PAE des Jourdiés

74800 Saint Pierre en Faucigny

Tél : +33 (0)450 037 998

Fax : +33 (0)450 036 792

Email : [commercial@detector-france.com](mailto:commercial@detector-france.com)

**[www.detector-france.com](http://www.detector-france.com)**

INSACND2EN – index A