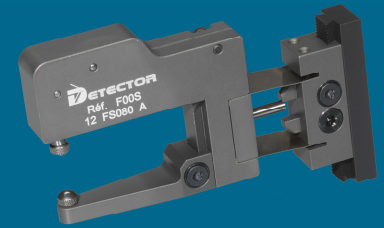




DIAMETER GAUGE FOOS



GAUGE



APPLICATIONS

The gauge F00S is used to measure external diameters of parts at a station or within the machine cycle.

TECHNICAL CHARACTERISTICS

| | |
|--------------------------|--|
| - Precision | $\pm 5 \mu\text{m}$ |
| - Environment | Oil, soluble |
| - Measurement capacities | $\varnothing 3$ to $\varnothing 16\text{mm}$ |

ACCESSORIES

- Standard mounting bracket > REF : F24S

AMPLIFIER



MAIN FEATURES

Ability to connect 1 sensor (single channel version) or 2 sensors (dual channel version).

ACCESSORIES

- Protective enclosure > REF : PC10X1
- Cable extension cord SUB-D15 > REF : PC04R015

TECHNICAL CHARACTERISTICS

| | |
|-----------------------------|---|
| - Technology | Digital |
| - Amplifier power supply | 110VAC/DC or 220VAC/DC |
| - Output relay power supply | 48VAC/DC maxi |
| - Output voltage | Make + break relay: 1A maxi Static relay: 100mA maxi |
| - Operating temperature | 0°C to + 50°C |
| - External dimensions | L 135mm, h 67,5mm, d 145mm |
| - Front panel dimensions | L 144mm, h 76mm, th 3mm |
| - Protection | IP65 |
| - Unit of measure | mm or Inch |
| - Data output | Via RS232, ASCII format |
| - Language | English, German, Italian, Spanish, French |
| - Measurement mode | Peak / peak controlled / stabilized |

SENSOR



MAIN FEATURES

Radial sensor PC02ACPI.

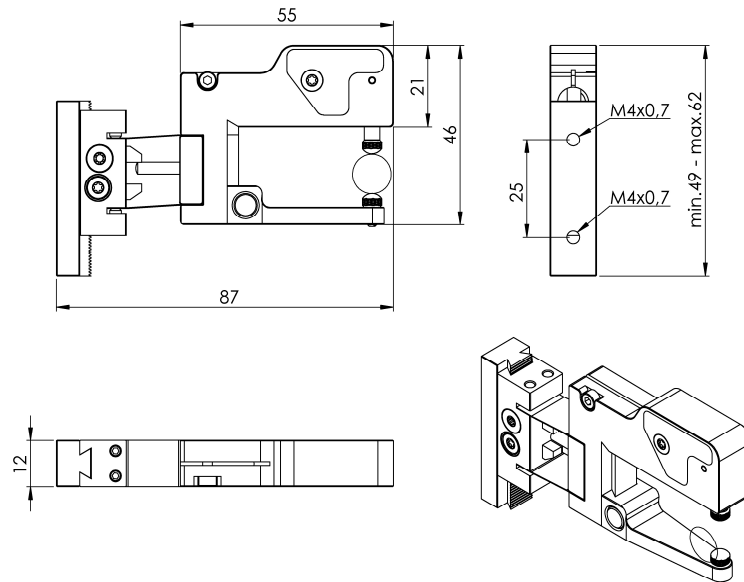
ACCESSORIES

- Sensor extension cord 1,5m..... > REF : PC08015
- Sensor extension cord 5m..... > REF : PC0805
- Sensor extension cord 10m..... > REF : PC0810

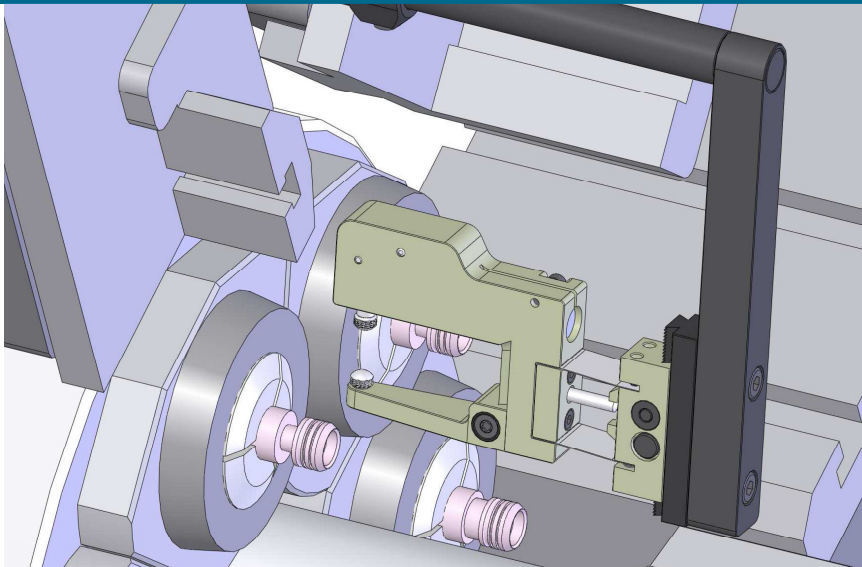
TECHNICAL CHARACTERISTICS

| | |
|------------------|------|
| - Technology | LVDT |
| - Stroke | 2 mm |
| - Cable diameter | 8mm |
| - Cable length | 4 m |

DIMENSIONS



APPLICATIONS



FOOS - Tornos SAS16